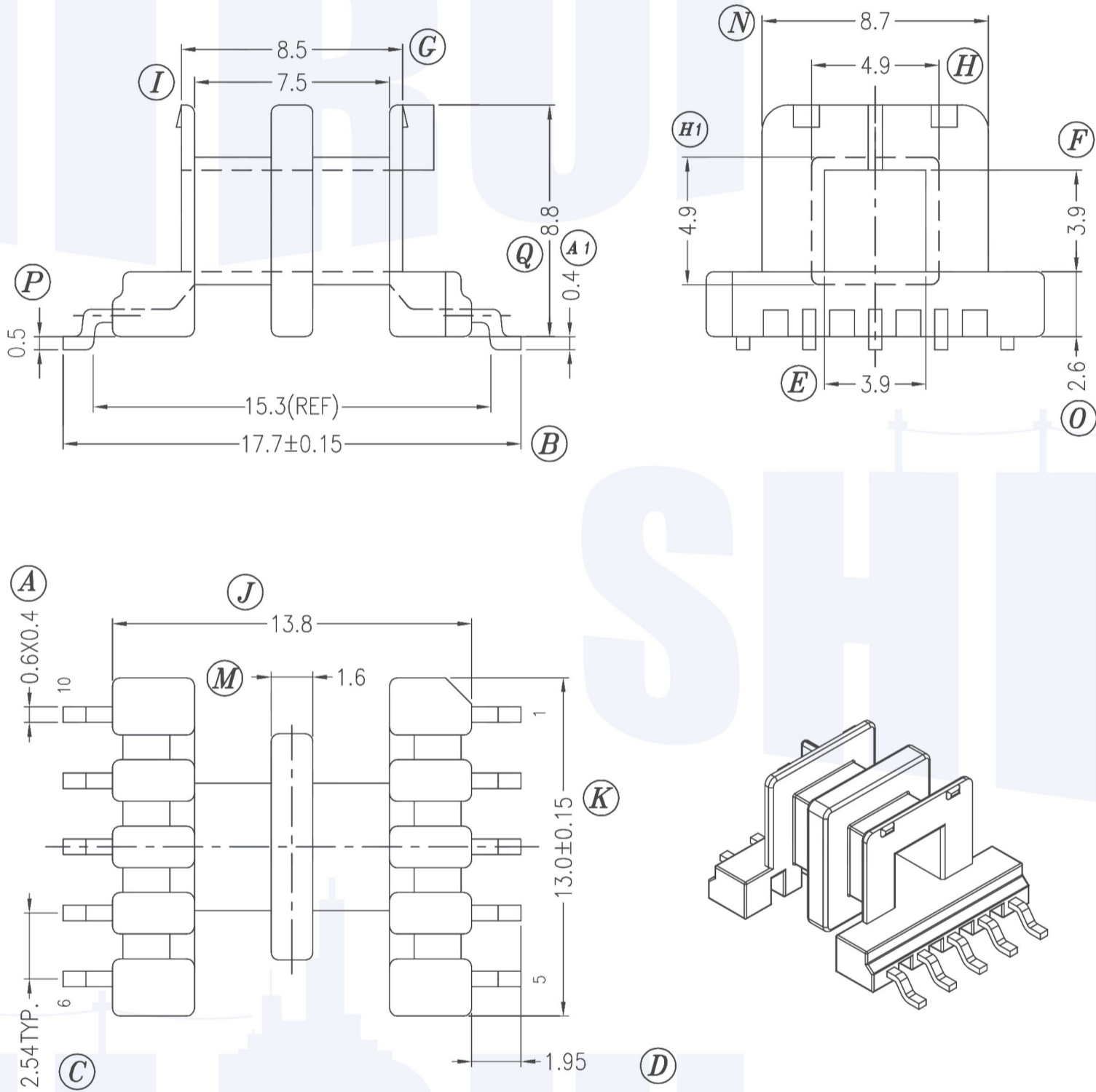


P/N
SR-SMD EF1203-1




Hefei Shirui Electronic Technology Co.,Ltd

www.shiruitech.com

TEL:(0086)55165232650

sales@shiruitech.com

SR NO. SR-SMD EF1203-1	MATERIAL: PHENOLIC UL REC: UL 94V-0	UNIT: mm TOLERANCE 0 < L ≤ 4 ±0.10 4 < L ≤ 16 ±0.20 16 < L ≤ 64 ±0.30 PIN PITCH ±0.05	DRN. WILL H
MODEL NAME: SMDEF12.6-10P-2S H	ANGLE: ± °  SCALE 1:1		CHD. IRINA LEE
			ISSD. JAMES HU